

SERIES M53

Dynapar™ brand

For Stepper & Small Servo Motors

Key Features

- 2.0" Diameter Modular Encoder with Easy Installation Requiring No Special Gapping Tools or Parts
- Phased Array Sensor Technology Allowing .020" Axial Shaft Play
- Up to 2048 PPR with Commutation Tracks



SPECIFICATIONS

STANDARD OPERATING CHARACTERISTICS

Code: Incremental, Optical
Resolution: (pulses/revolution)
 Incremental: 500 to 2048 PPR
 Commutation: 4, 6 or 8 pole
Accuracy:
 Incremental: ± 5 arc-mins. max. edge to edge;
Sense: (viewing encoder mounting surface)
 Incremental: A leads B by 90° for CCW rotation of motor shaft;
 Commutation: U leads V, V leads W by 120° for CW rotation of motor shaft
Phasing:
 Incremental: $90^\circ \pm 18^\circ$ electrical
 Commutation: 8 Pole: 30° ; 6 Pole: 40° ; 4 Pole: 60° mechanical
 Index to U Channel: $\pm 1^\circ$ mechanical - Index center to U channel edge
Symmetry:
 Incremental: $180^\circ \pm 18^\circ$ electrical
 Commutation: 8 Pole: 45° ;
 6 Pole: 60° ; 4 Pole: 90° mechanical
Index Pulse Width: $90^\circ \pm 36^\circ$ electrical (Gated with A high and B low)

ELECTRICAL

Input Power Requirements:
 Incremental: 5 VDC or 12 VDC $\pm 10\%$ at 100 mA max. (excluding output load);
 Commutation: 5 VDC or 12 VDC $\pm 10\%$ at 75 mA max. (excluding output load)

ELECTRICAL (CONT.)

Output Signals:
 7272 Push-Pull: 40mA, sink or source
 7272 Differential Line Driver: 40 mA, sink or source
Frequency Response: 200 kHz min.
Termination:
Connector: PCB mounted dual row head with $0.1" \times 0.1"$ pin spacing, 10 pins (incremental only), 16 pins (w/commutation);
Cable: conductors - 28 AWG, stranded (7/36), insulation - black, PVC; Shield: aluminum/polyester foil plus tinned, copper drain wire (28 AWG, 7/36)

MECHANICAL

Dimensions:
 Outside Diameter: 2.1" (53 mm) max. w/cover, 2.0" (51 mm) max. without cover; Height: 0.8" (20.3 mm) (w/cover, excluding connector);
 Emitter to Detector Gap: 0.070" (1.8 mm) min.
Hub Diameters: 1/4", 3/8", 7/16", 1/2", 6 mm, 8 mm, 10 mm, 12 mm nominal
Mounting Configuration:
 Base: (2) #4-40 (M2.5) #1 Phillips fillister head cap screw on 1.812" (46 mm) B.C., 0.01" (0.254 mm) true position to shaft; Shaft: split hub w/collar clamp, #2-56 hex socket cap screw (5/64" hex wrench included)
Hub Dia. Tolerance: $+0.001"/-0.000"$ ($+0.026$ mm/ -0.000 mm)
Mating Shaft Length: 0.45" (12 mm) min. blind hub clamp screw, 0.65" (16.5 mm) exposed hub clamp screw; 0.75" (19 mm) max. inside cover

Mating Shaft Runout: 0.002" (0.05 mm) max. (Includes shaft perpendicularity to mounting surface)
Mating Shaft Endplay: $+0.011"/-0.008"$ ($+0.30$ mm/ -0.21 mm) nominal ("+" indicates away from mounting face)
Electrical/Mechanical Alignment Range: $\pm 15^\circ$ mechanical
Acceleration: 100,000 rad/sec.² max.
Velocity: 12,000 RPM max.
Moment of Inertia: 6.64×10^{-6} in-oz sec.² (4.7 gm-cm²)
Material:
 Base, Housing, & Cover: high temperature, glass filled polymer;
 Hub: Aluminum; Disk: 0.030" thick glass
Finish:
 Base & Housing: black;
 Cover: RAL 7010 (dark grey)
Weight:
 Connector: 1 oz. (28 gm) typ.
 Connector w/cover: 1.5 oz. (43 gm) typ.
 Cable: 2.5 oz (71 gm) typ.
 Cable w/cover: 3 oz. (85 gm) typ.

ENVIRONMENTAL

Operating Temperature: 0° to 120° C
Storage Temperature: -40° to 85° C
Shock: 50 G's for 11 msec duration
Vibration: 2.5 G's at 5 to 2000 Hz
Relative Humidity: Up to 90% (non-condensing)
Enclosure Rating: NEMA 1 / IP50 dirt-tight (for models with cover)



Headquarters: 1675 Delany Road • Gurnee, IL 60031-1282 • USA

Customer Service:

Tel.: +1.800.873.8731
 Fax: +1.847.662.4150
 custserv@dynapar.com

Technical Support

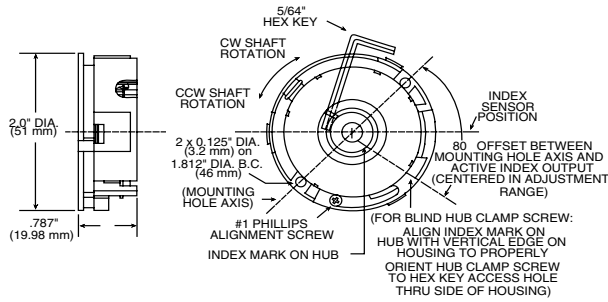
Tel.: +1.800.234.8731
 Fax: +1.847.662.4150
 northstar.techsupport@dynapar.com

European Sales Representative

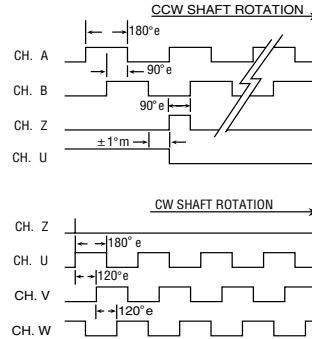
Hengstler GmbH
 Uhlandstrasse 49, 78554 Aldingen
 Germany
 www.hengstler.com

Dynapar™ brand is a trademark of DYNAPAR. All rights reserved.
 Specifications subject to change without notice.
 Document No. 702750-0002, Rev. C ©2016 Dynapar

Dimensions/Installation



Output Waveforms (For clarity, compliments are not shown.)

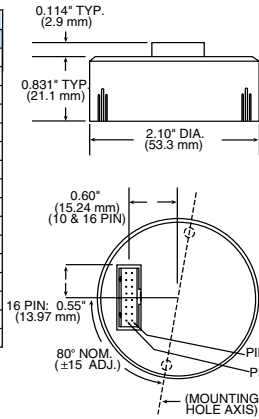


Code 6: Terminations (Not all signals present on all models)

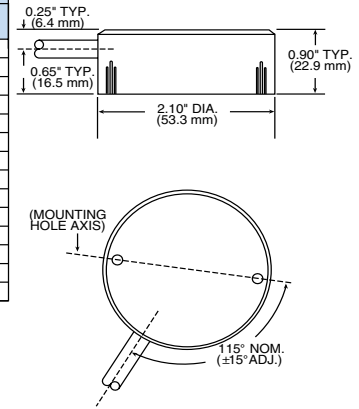
0: 16 Pin JST connector 1-8: Shielded Cable with JST connector

A-H: Shielded Cable

Pin	16 Pin
1	Vcc
2	U
3	GND
4	V
5	A
6	W
7	A'
8	NC
9	B
10	U'
11	B'
12	V'
13	Z
14	W'
15	Z'
16	NC



Function	Wire Color	
	Incr. Only	Incr. & Comm.
Vcc	RED	RED
GND	BLK	BLK
A	GRN	BLU
A'	RED/BLK	BLU/BLK
B	ORN	GRN
B'	WHT/BLK	GRN/BLK
Z	WHT	VIO
Z'	BLU	VIO/BLK
U	-	BRN
U'	-	BRN/BLK
V	-	GRY
V'	-	GRY/BLK
W	-	WHT
W'	-	WHT/BLK



Ordering Information

To order, complete the model number with code numbers from the table below:

Code 1: Model	Code 2: PPR, Poles	Code 3: Cover	Code 4: Electrical	Code 5: Hub Bore	Code 6: Termination
M53	<input type="checkbox"/> <input type="checkbox"/> <input type="checkbox"/> <input type="checkbox"/>	<input type="checkbox"/>	<input type="checkbox"/>	<input type="checkbox"/>	<input type="checkbox"/>

Ordering Information

Model	Termination	Cover	Electrical	Hub Bore
M53 Size 20 Commutating Modular	Incremental channels only	0 No Cover	0 5V in, open collector out incremental only	Exposed hub clamp screw:
	Incremental plus Commutation channels	1 Radial Exit Cover (for Shielded Cable)	1 12V in, open collector out incremental only	A 1/4 in.
		2 Axial Exit (for Shielded Cable with JST Connector)	3 5V in, line driver out incremental only	B 3/8 in.
			A 12V in, 5V line driver out incremental only	C 7/16 in.
			B 12V in, 12V line driver out incremental only	D 1/2 in.
			Available when Code 2 is XXXX/4, XXXX/6, or XXXX/8	E 6 mm
			6 5V in, line driver out incremental open collector out Comm	F 8 mm
			9 5V in, line driver out incremental line driver out Comm	G 10 mm
			C 12V in, 5V line driver out incremental, open collector	H 12 mm
			D 12V in, 12V line driver out incremental, open collector	
			E 12V in, 5V line driver out incremental, 5V line driver out Comm out Comm out Comm	
			F 12V in, 12V line driver out incremental, 12V line driver out Comm	
				0 JST connector
				Available when Code 3 is 2:
				1-8 Shielded cable with connector; 1=1 ft., 2=2 ft., etc.
				Available when Code 3 is 1:
				A-H Shielded cable; A=1 ft., B=2 ft., etc.